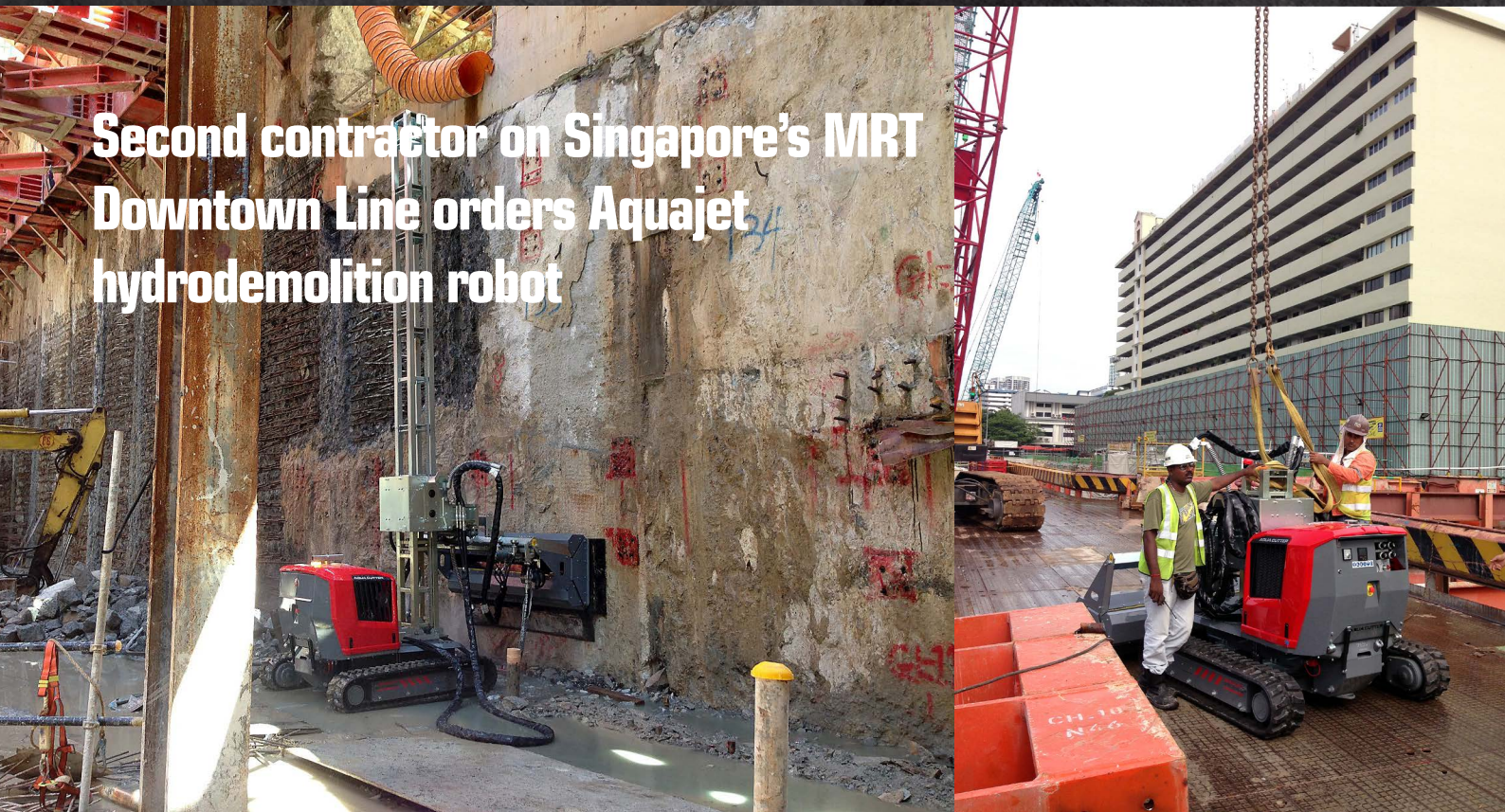


Second contractor on Singapore's MRT Downtown Line orders Aquajet hydrodemolition robot



Closely following Australian contractor, McConnell Dowell's delivery of its first Aquajet hydrodemolition AquaCutter 710V Classic for Singapore's MRT Downtown Line Stage 2 contract C917A, a second unit was ordered by China State Construction Engineering.

On being awarded its first MRT contract in Singapore, China State Construction Engineering Corporation Ltd of China, has taken delivery of an Aquajet 710V robotic water cutter to help speed work on a diagram wall; forming part of its two contracts on the Downtown Line Stage 3 project.

Contract 929 includes construction of Kaki Bukit station, while contract 932A includes the

construction of Kallang Bahru station. Work began in July 2011 and completion is expected by 2017. The 21-km long DTL3 is the final stretch of the 42km Downtown Line.

"In addition to high productivity and reduced manpower costs, they were looking for very precise work, which is not possible to achieve with jackhammers," says Mr Lee, Regional Sales Manager for Asia Waterjet Equipment, the Asia distributor for Aquajet Systems AB of Sweden.

"The contractor wanted only a shallow cut to expose the rebar, so that surface panels could be installed quickly and accurately.

"The degree of control possibly with the Hydrodemolition robot meant that the delicate process of removing concrete without damage to the rebar could be controlled to a very fine limit."

Both orders have provided Hydrodemolition technology with a huge boost in Singapore, enhancing the image of hydrodemolition efficiency.

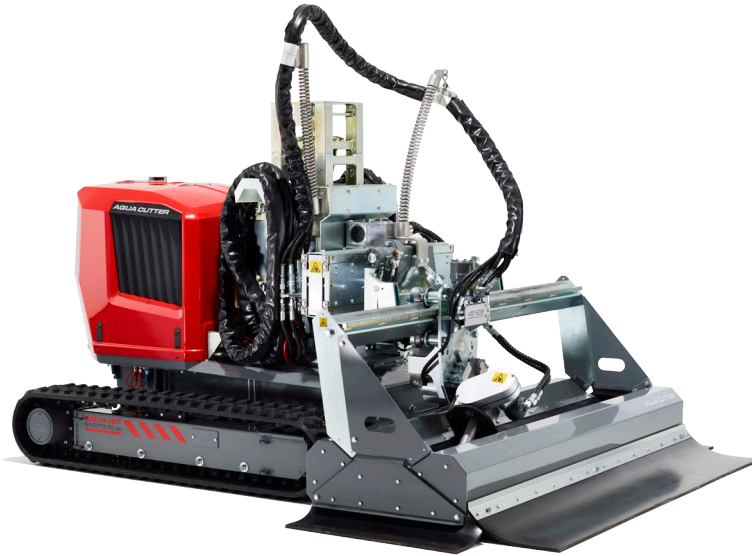
The use of hydrodemolition technology is expected to increase in Singapore in future, following government policy to improve productivity and therefore reduce reliance upon foreign labour.

"In Singapore there is now a genuine case for advanced water cutting technology," said Patrick Lee, Regional

"Increasingly contractors are keen to invest, and with government support there is a tremendous amount of interest in what can be achieved in labour savings, health and safety, noise control, and increased quality and productivity."

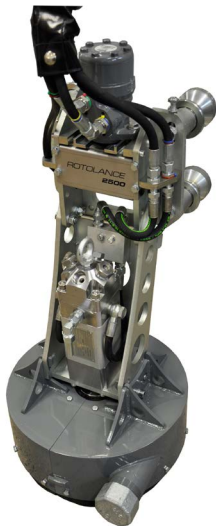
→ Read more on aquajet.se

AQUAJET PRODUCTS USED



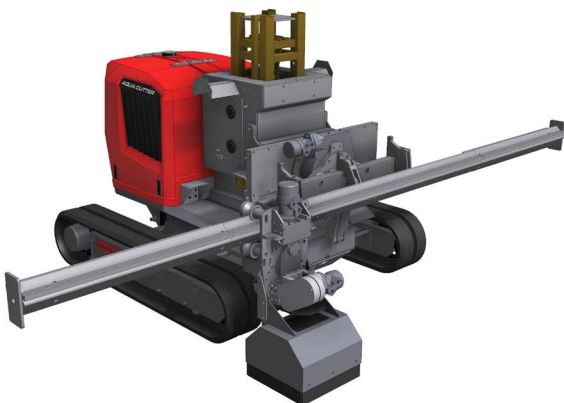
AQUA CUTTER 710VE evolution

Total weight:	2350 kg (5181 lb)
Min. length:	2,6 m (8,6 ft)
Max. length:	2,85 m (9,4 ft)
Total width:	2 m (6,6 ft)
Min. width:	1,2 m (3,9 ft)
Track width:	1,04-1,64 m (3,4 -5,4 ft)
Width range:	0-2,45 m (0-8,0 ft)
Width extended:	4 m (13,1 ft)
Min. height:	1,42 m (4,7 ft)
Operating height:	7 m (23 ft)
Drive source:	Electric



Rotolance 2500

Working diameter:	350 mm (13,8")
Max. water pressure:	1100-2500 bar (15 954 – 36 259 psi)
Max. water flow:	170-65 l/min
Rotation speed:	0-1000 rpm (hydraulic)
Max. hyd. pressure:	110 bar 1595 psi)
HP hose connections:	M30x2 Gland
Max. nos of nozzles:	20
Vacuum connections:	2x2,5" BSP
Weight:	110 kg (242 lb)



Extension Kit 2x1m

Extensions	250, 500, 750, 1000, 1500 mm
Max. extension	2000 mm

→ Read more on aquajet.se

AQUAJET
SYSTEMS AB